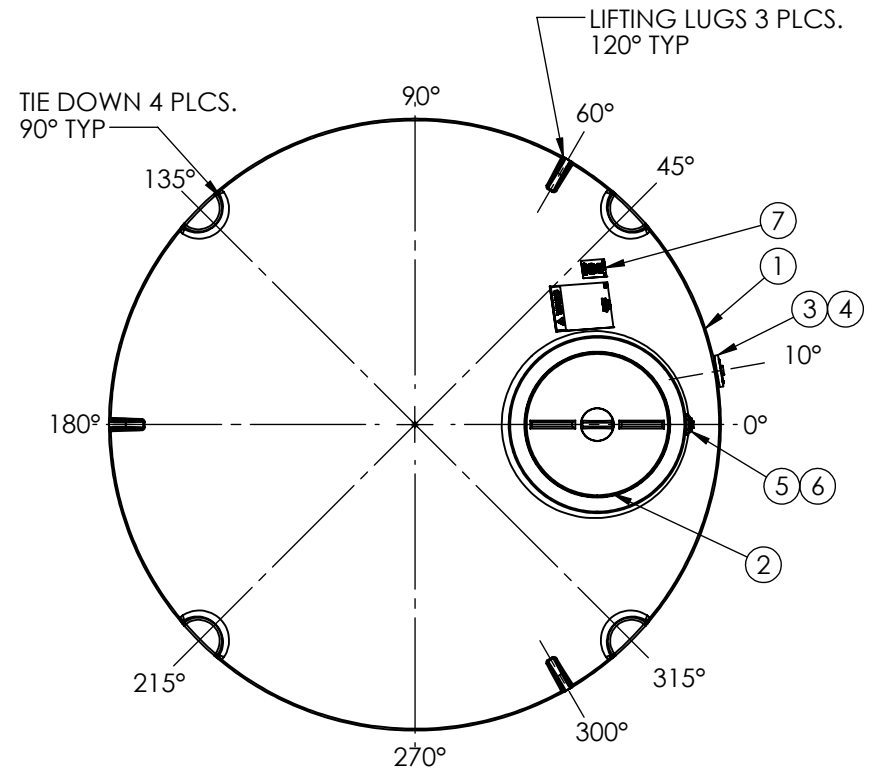
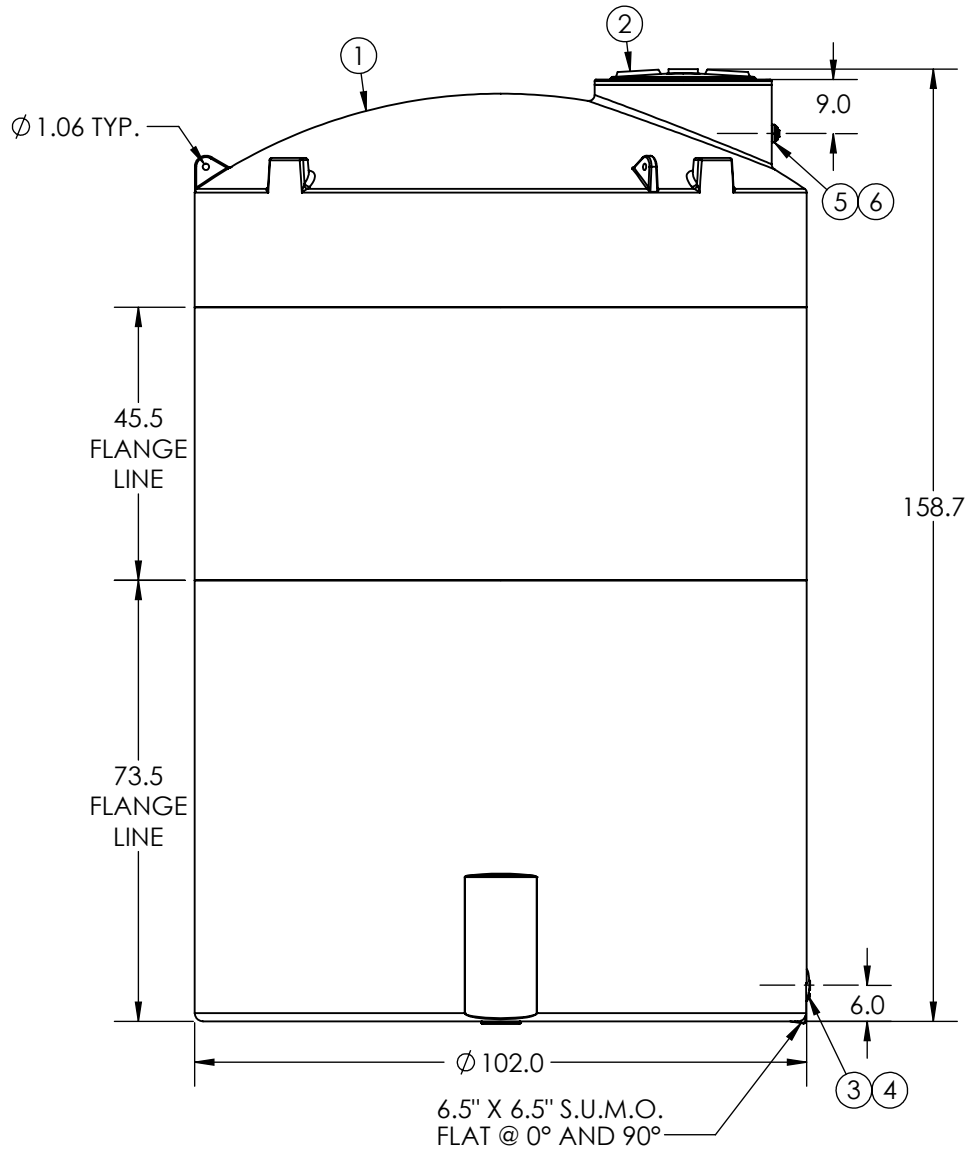


BLACK OR DARK OLIVE GREEN



7	1	99700231	DECAL NSF MARK - WATER TKS
6	1	64149	1-1/2" NPT PLUG
5	1	63931	FTG PP 1-1/2IN ECO-BH EPDM TXT
4	1	60021	2" NPT PLUG
3	1	63683	FTG 2IN HD BH PP/EPDM
2	1	34700352	ASM MANWAY PE 24IN VENTED
1	1	7420100W__02	ASM TK 5000VDT X 102 WATER NH NOMW

ITEM NO.	QTY.	PART NUMBER	DESCRIPTION
DO NOT SCALE		DRAWN BY	REVISION
STATUS: Released		SB	B
© SNYDER INDUSTRIES, INC., 2018			TITLE: ASM TK 5000VDT X 102 WATER
ALL DIMENSIONS, DESIGNS, AND INFORMATION ON THIS PRINT MUST BE CONSIDERED PROPRIETARY TO SNYDER INDUSTRIES, INC. AND MAY NOT BE USED, COPIED, OR DISTRIBUTED WITHOUT WRITTEN PERMISSION OF AN OFFICER (OR HIS AGENT) OF THE FIRM.		(402) 467-5221 www.snyderinet.com	SHEET 1 OF 1
		PART NO. 7420100W__03	ENG. ID. D006353

***ALL EXTERNAL PIPING MUST BE INDEPENDENTLY SUPPORTED.**
***ONLY BASE FITTINGS TO BE LEFT INSTALLED AT TIME OF SHIPMENT PER SII PROCEDURE.**
***Consult Snyder's Guidelines for Use and Installation prior to delivery.**
 Available on-line at <http://www.snyderindustriestanks.com/Technical>
ALL DIMENSIONS ARE IN INCHES, NOMINAL, & SUBJECT TO CHANGE WITHOUT NOTICE.
ALL DIMENSIONS ON ROTATIONAL MOLDED PARTS ARE SUBJECT TO A ± 3% TOLERANCE.